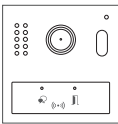
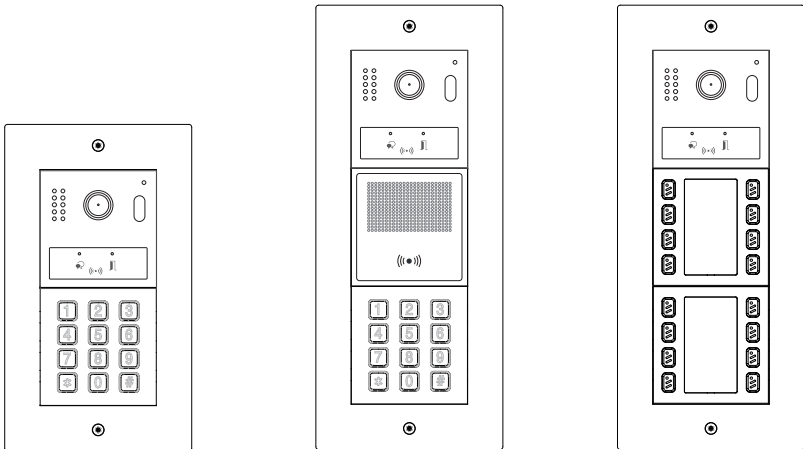


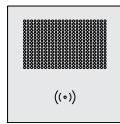
DH 821 Door Station

2-wire IP Fisheye Camera
Modularity Outdoor Station

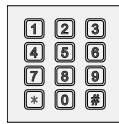
Quick Installation Guide



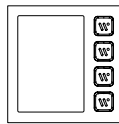
821/VD



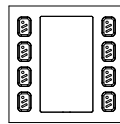
821/DR



821/MK

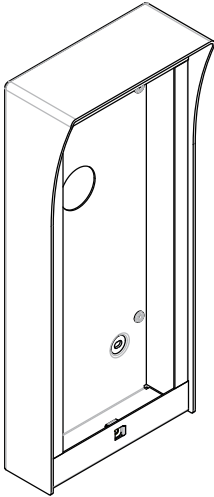
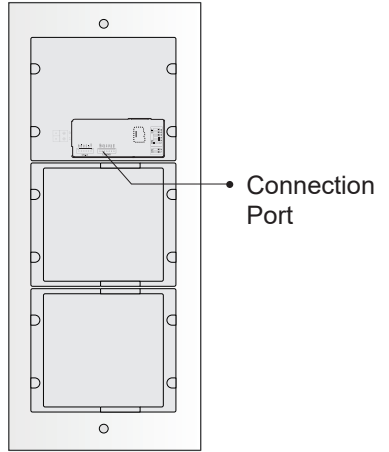
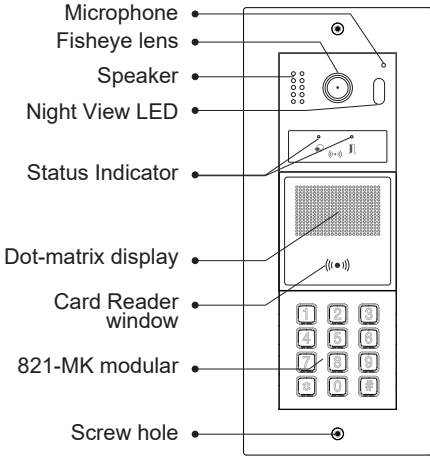


821/M4

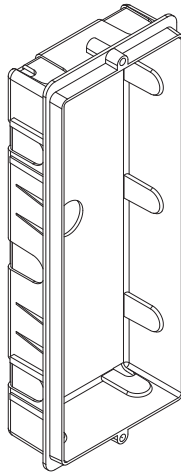


821/M8

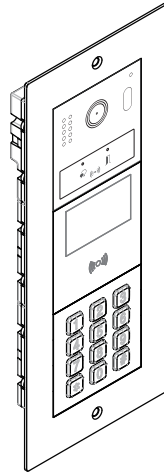
1. Parts and Functions



Surface mount box

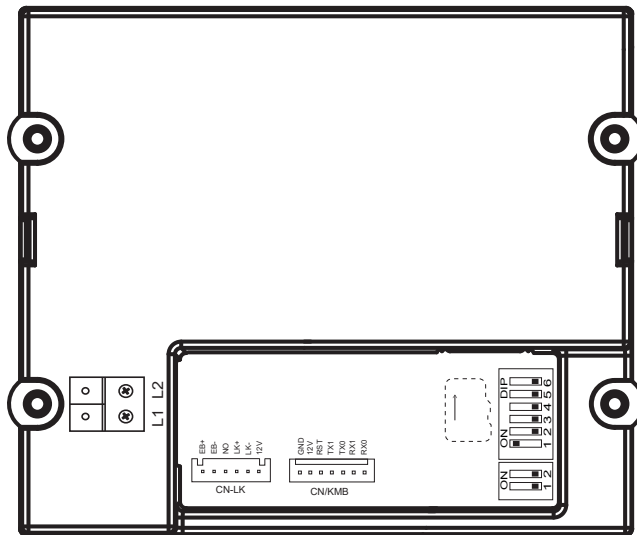


Embedded box



Front panel

2. Terminal Description



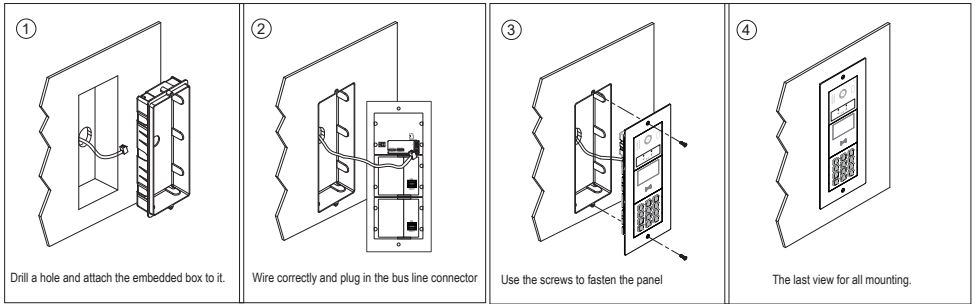
- **CN-LK:** Electric lock and exit button connection port.
12V: 12V DC power output.
LK-: power ground.
LK+: common contact of the relay.
NO: normally open contact of the relay
EB+: exit button positive connection port.
EB-: exit button negative connection port.
- **DIP1:** DIP switches for system configurations.
- **DIP2:** Reserved.
- **CN/KMB:** Call button module / Mechanical keypad module / DR module connection port.
- **Bus(L1,L2):** Non-polarity bus line, connect to power comb unit.

3. Specification

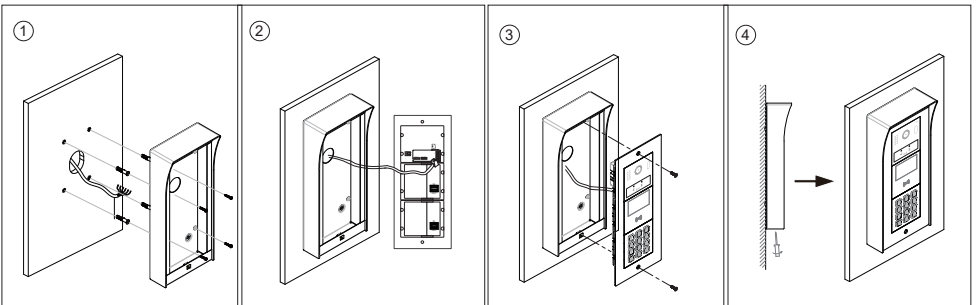
Power supply:	DC 20~28V
Camera:	1/2.7" fisheye camera, 170° wide angle
Power Consumption:	2W in standby ; 2.8W in working
Card Reader:	Support 125KHz and 13.56MHz unencrypted RFID tag
Unlock Power output:	12Vdc, 250mA
Unlock timing:	1~99s
Working temperature:	- 20°C ~ +55°C
Wiring:	2 wires (non-polarity)
Dimension:	316(H)×133(W)×48(D)mm(3 GANG) 232(H)×133(W)×48(D)mm(2 GANG)

4. Mounting

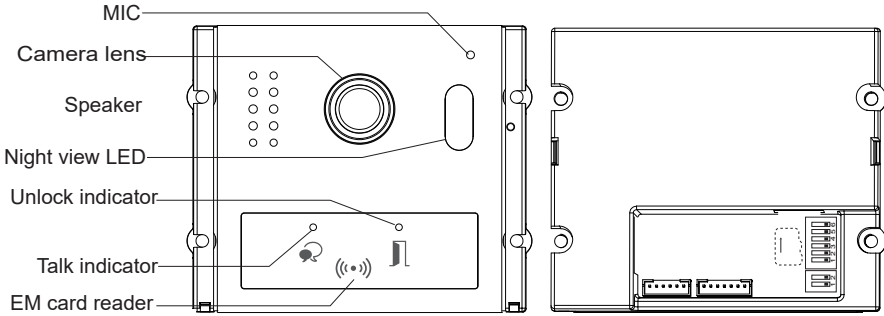
Flush mounting



Surface mounting

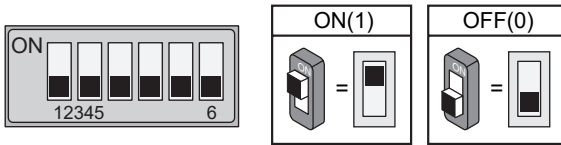


5. VD Module



(1) DIP1 Switches Settings

Totally 6 bits can be configured by dip-switch. All switches can be modified either before or after installation, please restarting the power whenever the switches have been modified.



• Bit-1 and Bit-3 are used for door station ID settings.

When multi door stations are installed in the system, these two bits must be set correctly

!!The system must and can only have one door station in address1, and address 1 is a default setting, without correct settings of the address the system will not work!!

The address setting need to repower to apply, suggest set when power is off.

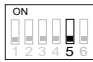

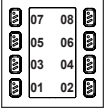

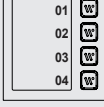
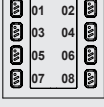
Bit state	DS ID	Bit state	DS ID
	DS 1		DS 5
	DS 2		DS 6
	DS 3		DS 7
	DS 4		DS 8

- **Bit-4 is used for setting the system type.**

0 is the default setting, and the default system type is 1 APT. If set to 1, the system type is Hybrid.

- **Bit-5 is used for set button values in positive or reverse order.**

When set to 0, the button values are in reverse order; when set to 1, the button values are in positive order.

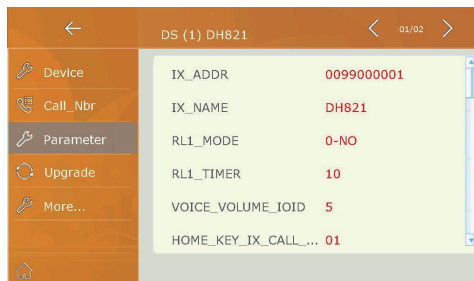
Bit state	Call mode	
		
		

- **Bit-6:** when set to 0, use with single row button module, when set to 1, use with double row button module.

(2) Parameters Setting

Set the parameters of DH821 via monitor

On monitor, press “Settings” -> “Installer ” -> “Onsite tools” -> Select the DH821 door station->“Parameter”



IX_NAME: Set the name of the DH821 Door station

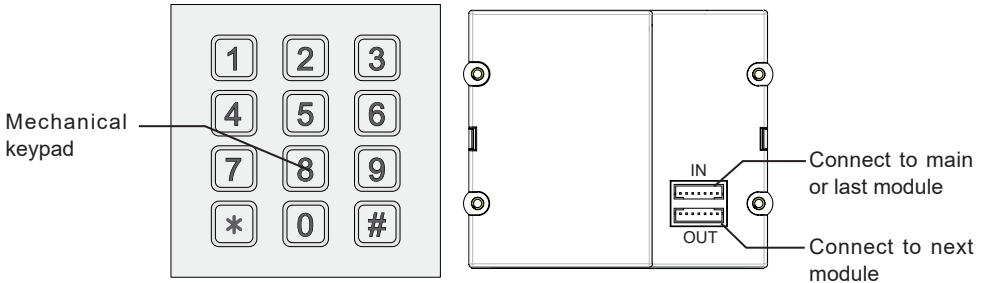
RL1_MODE: Set the lock mode. 0-NO means normally open, 1-NC means normally closed

RL1_TIMER: number of seconds for unlock timing. 0-99.

VOICE_VOLUME_I0ID: input volume for prompt 0-9.

6. Module

MK Module



Call monitor

Press digital button to input room number / address, press “#” button to activate the call.

Unlock

Press digital button to input room number / address, press “#” button to activate the call.

1. Setup unlock code on monitor:

On monitor, press “Settings” -> “Manage” -> “Unlock Code” , Select the DH821 door station. Tap the desired code to modify.

2. Add more private unlock code

In unlock code management page. Tap “More...” and input management password (default is “1234”) to add private unlock code.

Tap “Add New” to add a new private code.

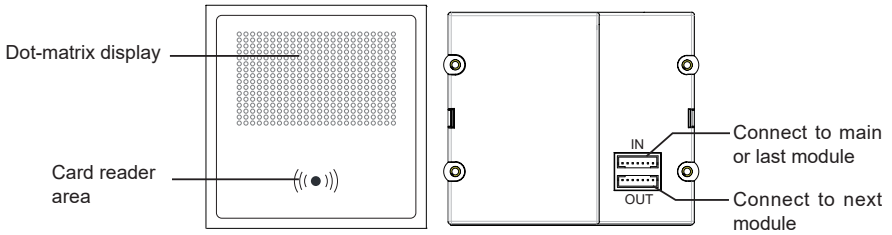
3. Unlock using unlock code:

On MK module, input “# + Unlock code” to unlock.

For example:

On MK module, input “#1111” to unlock.

DR Module



Dot-matrix: 16 x 24 dot matrix display.

Card Reader: support 125KHz and 13.56MHz unencrypted RFID tag.

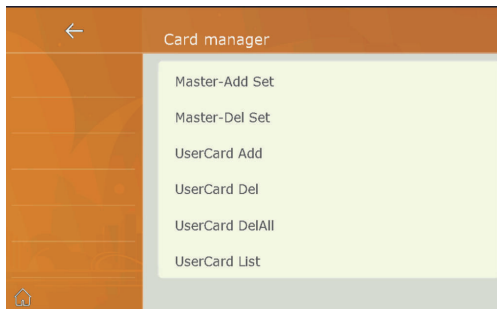
Features

- Management via monitor
- The distance of card reading is from 3 to 5 cm

Card Operation

• Add card on monitor

On monitor, press “Settings” -> “Manager ” -> “Card manager”-> Select the DH821 door station When adding a card, you can manually input the card number or swipe the card to be added on the DR Module of the door station, and the card data will be automatically synchronized to the input area.



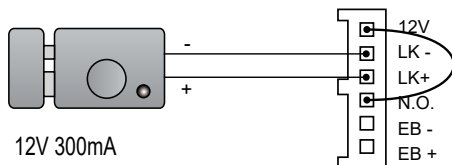
Master-Add Set :Add Manage ADD card
Master-Del Set : Add Manage DELETE card
UserCard Add:Add a user card
UserCard Del:Delete a user card
UserCard DelAll:Delete all user cards
UserCard List:View the list of user cards

7. Electric Lock Connection

Door Lock Controlled with Internal Power

Note:

1. This mode only supports electromagnetic locks.
2. Electromagnetic lock of Power-off-tounlock type should be used.
3. The door lock is limited to 12V, and holding current must be less than 250mA.
4. The Unlock Mode Parameter of Monitor must be set to 0-NO (by default).



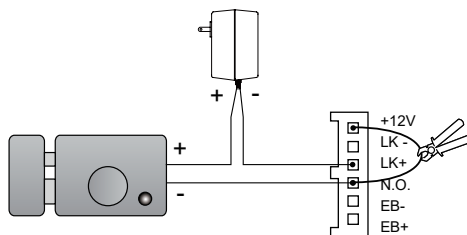
set to Normally open on the Unlock Relay mode

Door Lock Controlled with Dry Contact

Note:

1. The external power supply must be used according to the lock.
2. The inside relay contact is restricted to AC or DC 24V/1A.
3. Setup the Unlock Mode of Monitor for different lock types.

- Power-on-to-unlock type:Unlock Mode=0-NO (by default)
- Power-off-to-unlock type:Unlock Mode=1-NC

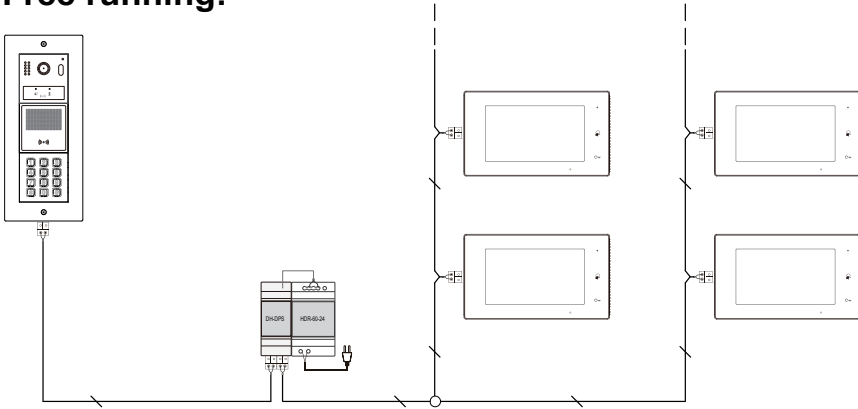


set to Normally Open on the Unlock Relay mode (default)



8. Wiring

Free running:



Structured cabling :

