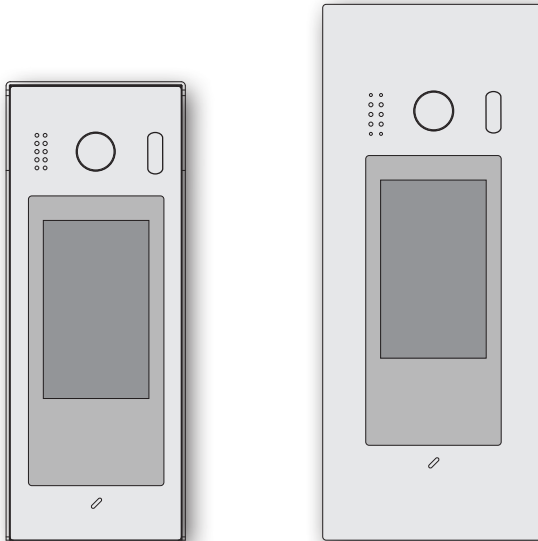


English

# 2-wire IP Video Outdoor Station

---

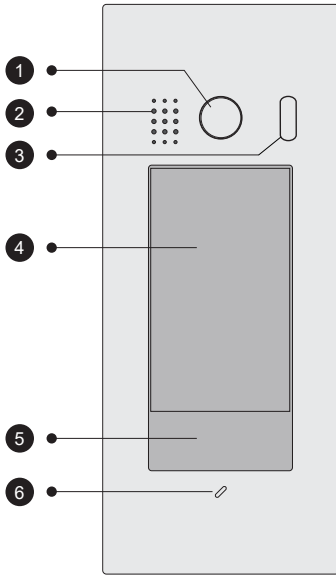
User Manual



---

Please read this manual carefully before using the product you purchase, and keep it well for future use. We reserve the right to modify the specification in this manual at any time without notice.

# 1.Parts and Functions



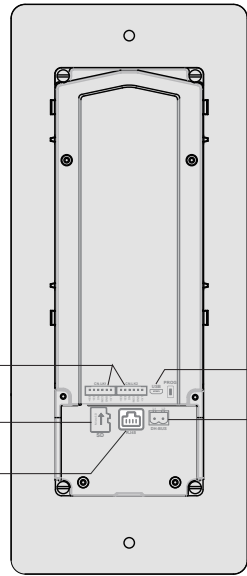
**1 Camera lens**

**2 Speaker**

**3 LED\_CAM**

**4 LCD screen**

**5 Card reader**  
Allows the door to be unlocked by using a card.



**6 Microphone**

**7 Lock connection port**

**8 SD card connector**

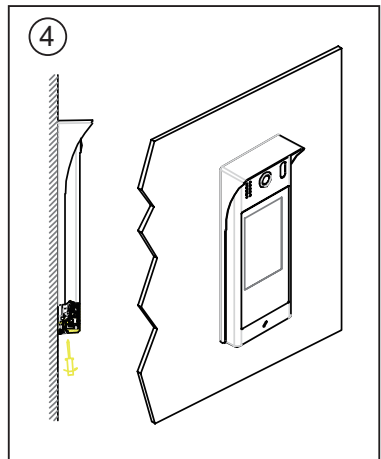
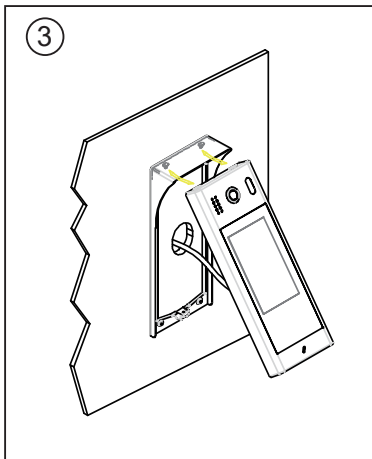
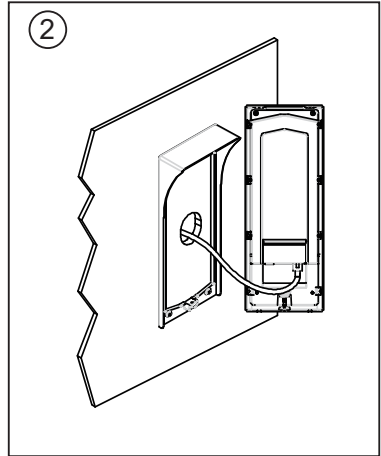
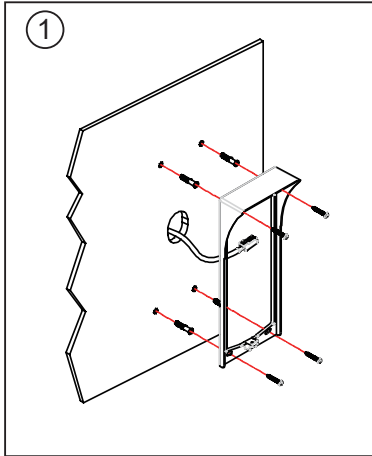
**9 RJ45 connector**  
Reserved

**10 USB connector**  
For firmware update

**11 2 wire connector**  
Bus terminal

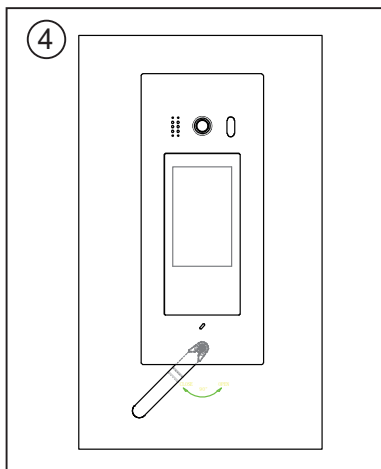
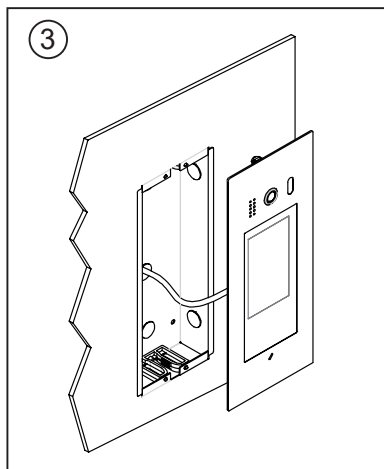
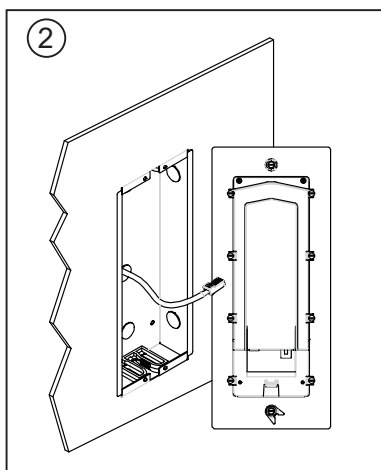
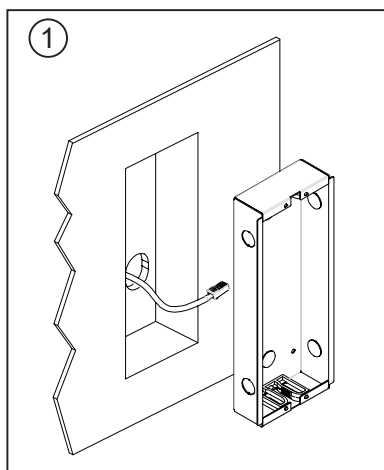
# 3. Door Station Mounting

## Surface mounting



1. Drill holes in the wall to match the size of screw stoppers, then attach the rainy cover and main unit to the wall, and the distance between the top of main unit and rain cover should be not less than 3mm.
2. Connect the cable correctly.
3. Install the door station, hook up from the top with the rain cover and then amount the door panel.

## Flush mounting



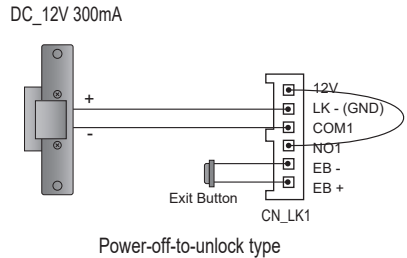
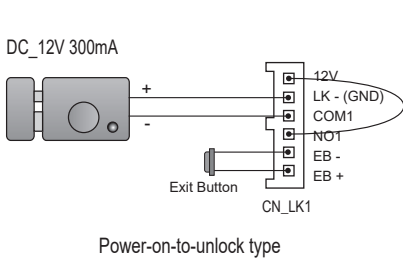
1. Drill a hole in the wall to match the size of the mounting box and attach to the wall.
2. Connect the cable correctly and make sure ratchet bolt on the bottom is in "Open" position.
3. Make sure the install is firmly, and use the wrench tool to locking the ratchet to "Close" position.

# 4. Electric Lock Connection

This part mainly introduces the DC lock connection method.

## 1) Lock1 connect

### Door Lock Controlled with Internal Power



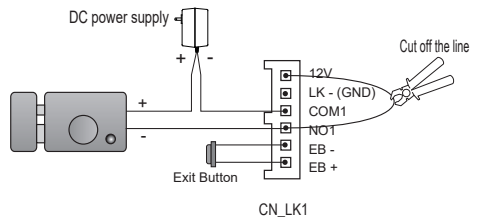
Note:

1. The door lock is limited to 12V, and holding current must be less than 300mA.
2. Setup the Unlock Mode Parameter for different lock types
  - Power-on-to-unlock type:Unlock Mode=NORMALLY\_OPEN(by default)
  - Power-off-to-unlock type:Unlock Mode=NORMALLY\_CLOSE

### Door Lock Controlled with External Power

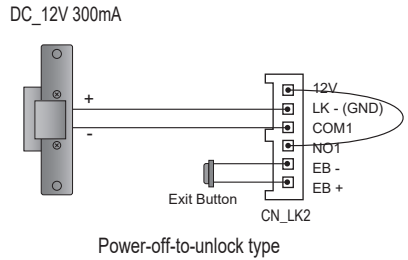
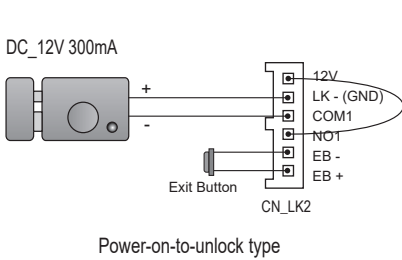
Note:

1. The external power supply must be used according to the lock.
2. The inside relay contact is restricted to 1A 125VAC/3A 30VDC
3. The external power supply must be used according to the lock..



## 2) Lock2 connect

### Door Lock Controlled with Internal Power



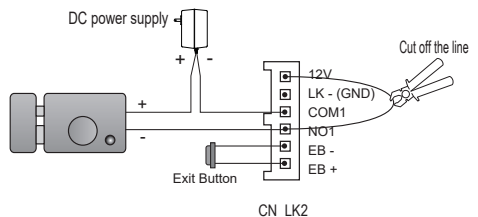
Note:

1. The door lock is limited to 12V, and holding current must be less than 300mA.
2. Setup the Unlock Mode Parameter for different lock types
  - Power-on-to-unlock type:Unlock Mode=NORMALLY\_OPEN(by default)
  - Power-off-to-unlock type:Unlock Mode=NORMALLY\_CLOSE

### Door Lock Controlled with External Power

Note:

1. The external power supply must be used according to the lock.
2. The inside relay contact is restricted to 1A 125VAC/3A 30VDC
3. The external power supply must be used according to the lock..




## 5. Door Station Operations


### About main menu:




### Calling a resident via input room number:

- 1 Press keypad button to enter keypad page.
- 2 Input the room number.
- 3 Press  to call.

### Calling a resident via namelist:

- 1 Press namelist button to enter namelist page.
- 2 Select the desired name on the list.
- 3 Press  to call.

## Open the door by entering an unlock password:

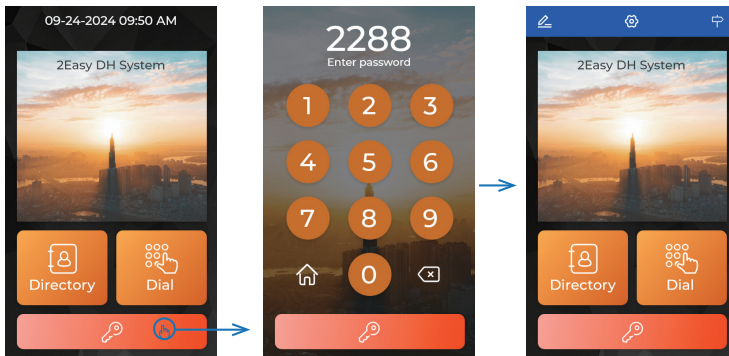
- 1 Press unlock button to enter keypad page.
- 2 Input your unlock password.
- 3 Press  to open the door.

## Open the door by using an access card:

Touch your access card to card reader area of the door station.

## Enter installer mode:

- 1 Press unlock button.
- 2 Input “2288” than confirm (installer password 2288 by default)



## Unlock setting:

In “Installer Mode”

1 Press “Setting icon”(tap in the middle of blue bar at top).

2 Select “Lock”

3 Select “Lock and PWD”

Find below Parameters:

- **Lock1\_mode:**

Set the mode of lock 1, 0-NO means normally open, 1-NC means normally closed

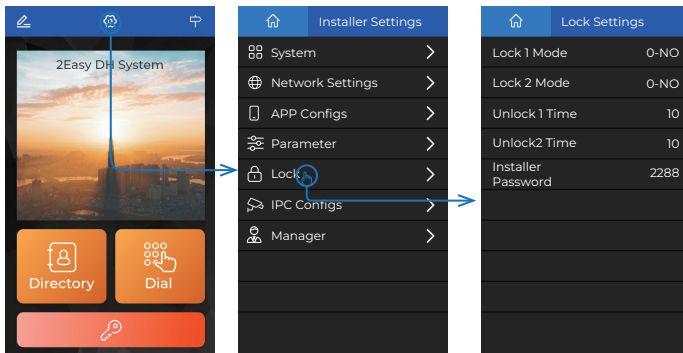
- **Unlock1 Time:**

Set the mode of lock 2, 0-NO means normally open, 1-NC means normally closed

- **Lock1 Mode:**Set the unlock time of lock 1

- **Lock2 Mode:**Set the unlock time of lock 2

- **Installer Password:**Set the installer password



## Enter Management setting menu:

1 Press unlock button.

2 Input “1527” (1527 is the default Manage password)

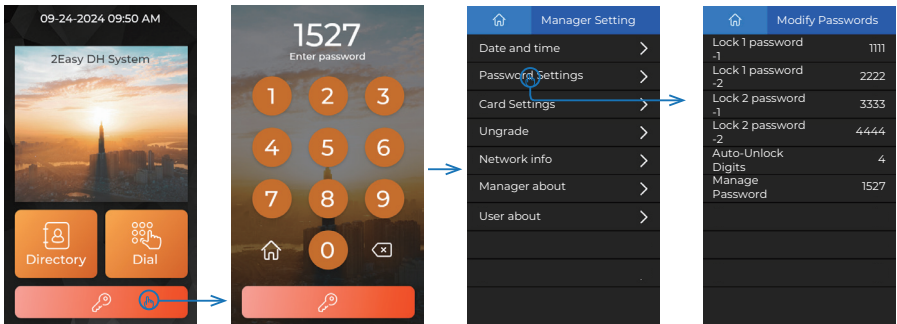
## Password Settings:

### Change public code

- 1 In "Manager Setting menu".
- 2 Select "Password Settings".

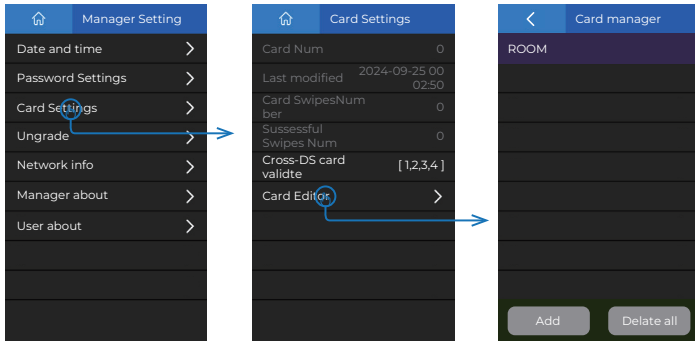
### Options

- 1 Lock1 password-1:Set the first password for lock 1
- 2 Lock1 password-2:Set the second password for lock 1
- 3 Lock2 password-1:Set the first password for lock 2
- 4 Lock2 password-2:Set the second password for lock 2
- 5 Auto-Unlock Digits:When this number is the same as the unlock password length, the lock will be unlocked automatically after entering the password, without the need to press the unlock button.
- 6 Manage Password:Set the Manage password



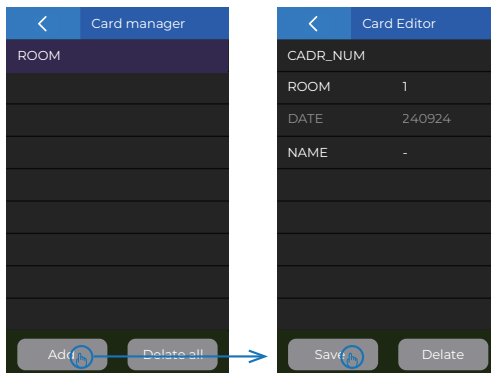
## Access Card Management:

- 1 In “Manage settings menu”.
- 2 Select “Card Settings”.
- 3 Select “Card Editor”.



### Add Card

Tap “Add ” in “Card manager” to add access card.



#### - Card\_NUM

Manual input card ID or swipe card in the card reader.

#### - ROOM

Manual input Room\_Addr.

#### - Name

Manual input card holder's name, as remark.

#### - Save

Apply card to door station.

## View Card

In "Card manager" to check added cards.

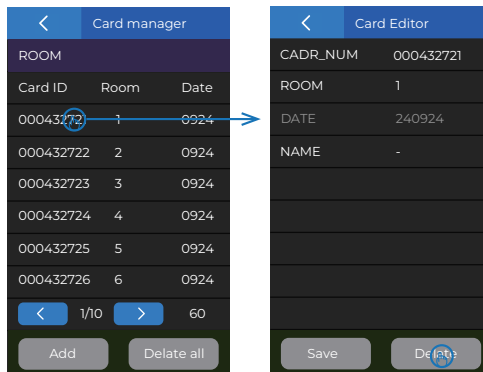
Card ID	Room	Date
000432721	1	0924
000432722	2	0924
000432723	3	0924
000432724	4	0924
000432725	5	0924
000432726	6	0924

Navigation: < 1/10 > 60  
Buttons: Add, Delete all

## Delete Card

In the "Card Manager" page list,click the card data you want to delete.then tap "Delete" Button. Finally, confirm the deletion.

Or you can Delete all card data by clicking "Delete all" button in the "Card Manager page"

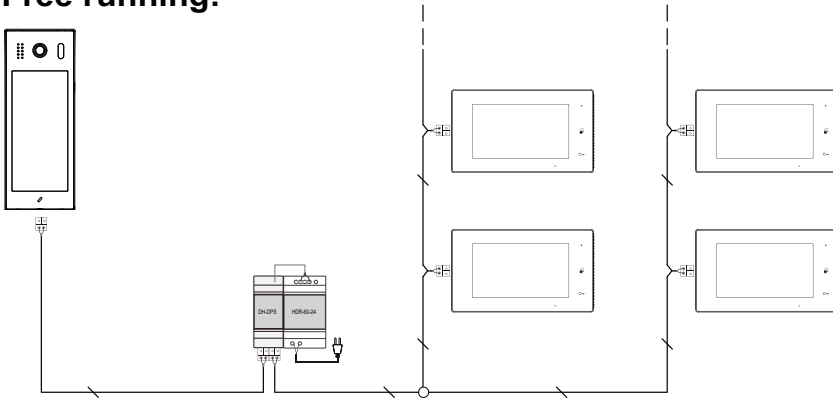


## 6. Specification

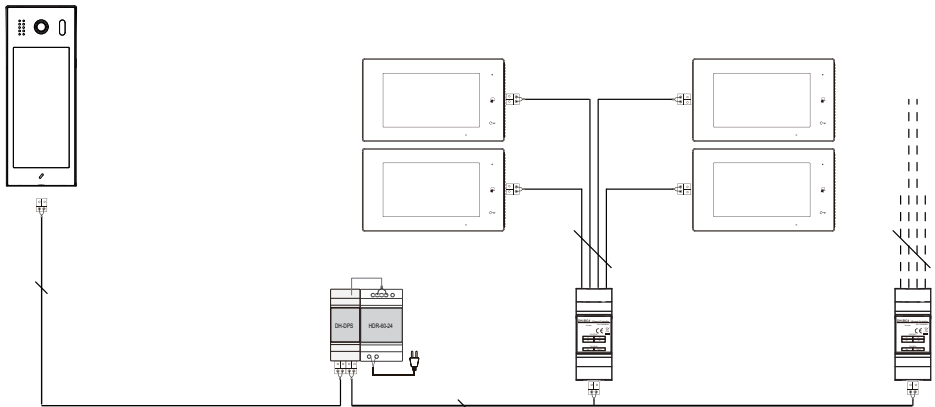
- Power Source: DC 22~28V
- Camera: 1/2.7" fisheye camera, 170° wide angle
- Screen: 5 Inch digital color TFT
- Display Resolutions: 800\*480 resolution
- Wire Type: 2 wires (non-polarity)
- Wiring Distance: 65M
- Operating temperature: -10 to +50 (oC)
- Protection: IP65;
- Dimension: 281(H)×110(W)×44(D)mm(Surface)  
316(H)×133(W)×46(D)mm(Flush)

# 7. Wiring

## Free running:



## Structured cabling :





The design and specifications can be modified without notice to the user. Right to interpret and copyright of this manual are reserved.